

6

5

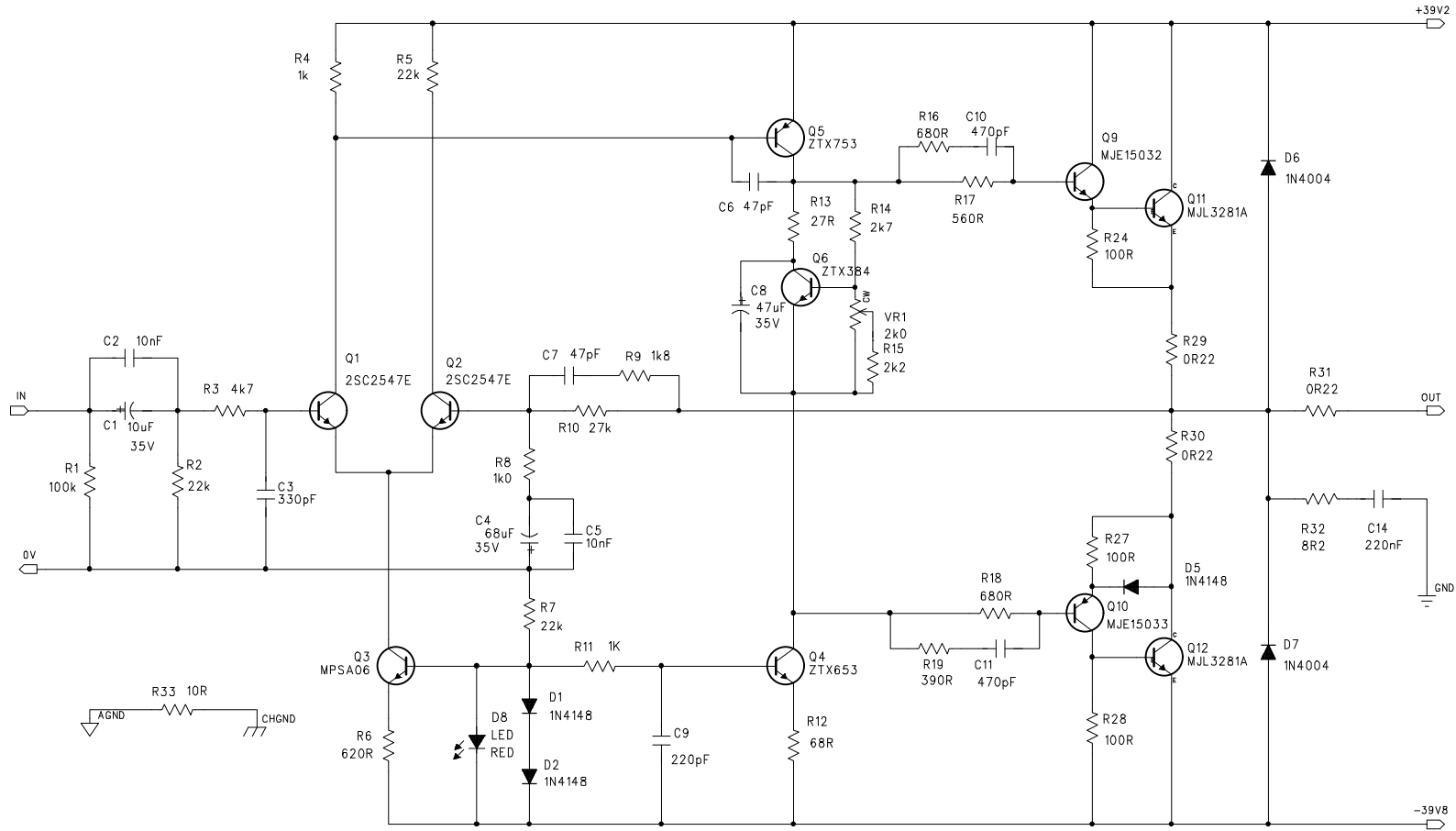
4

3

2

1

REVISION RECORD			
LTR	ECD NO:	APPROVED:	DATE:



Note 1: Use EITHER (D1 & D2) OR (D8) [ EITHER 2 diodes OR 1 LED ]  
 If using LED, make R6 1k0 and R12 110R

Note 2: R33 Optionally connects quiet and noisy ground on some PCBs

Note 3: No overcurrent protection on this schematic!

COMPANY:			
TITLE: 'N135' Power Amplifier			
CODE:	SIZE:	DRAWING NO:	REV:
SCALE:	SHEET:		OF

DRAWN:	DATED:
CHECKED: JKN	DATED: 15Mar99
QUALITY CONTROL:	DATED:
RELEASED:	DATED:

D

C

B

A

D

C

B

A